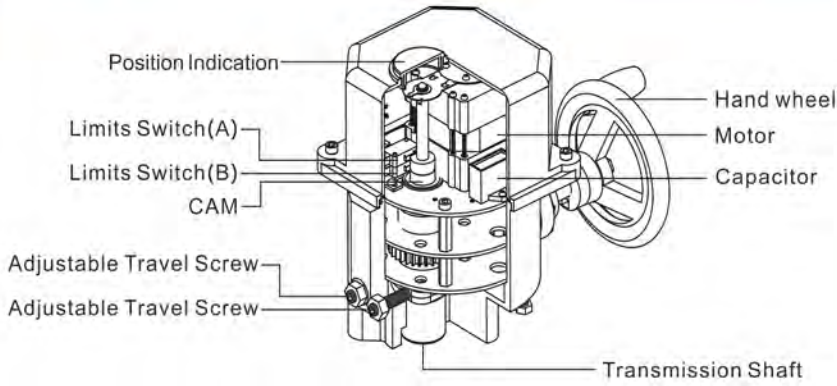


UM-4 Direct Mount Series



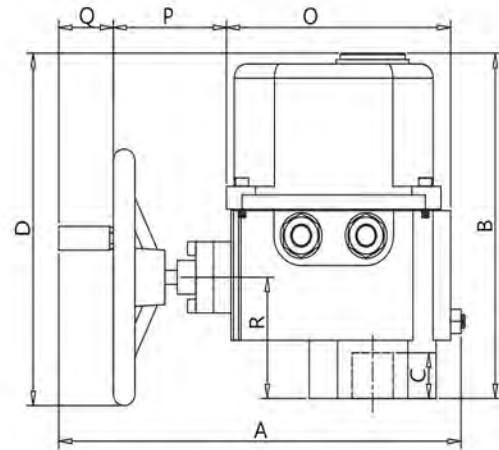
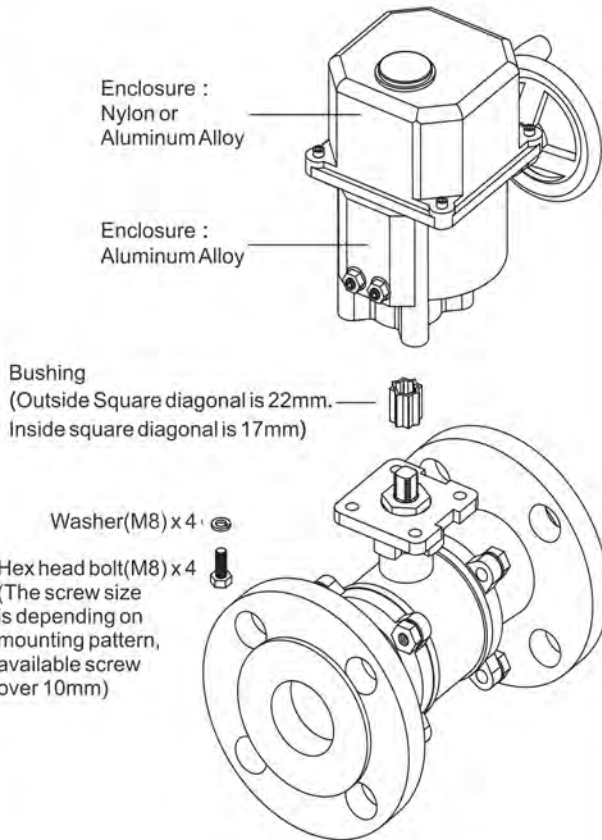
※The following values are subject to begin with 60Hz

| Specification | Speed (sec) | | | Output Torque Kgf-cm | | | | |
|---------------|-------------|--------|-------|----------------------|-----|--------|--------|-------|
| | AC110V | AC220V | DC24V | AC | DC | AC110V | AC220V | DC24V |
| 25W | 0.8A | 0.6A | N/A | 20 | N/A | 2500 | 2500 | N/A |
| | 0.6A | 0.6A | | 30 | | 3118 | 3320 | |
| 30W | N/A | | 0.3A | N/A | 20 | N/A | | 2500 |
| | | | 0.5A | | | | | 30 |

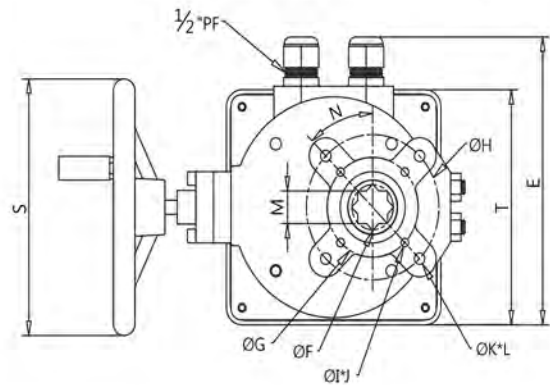
| Type | Valve Size | | | |
|-------|------------------|-------------------|-----------------|-------------|
| | Ball Valve screw | Ball Valve flange | Butterfly Valve | 3-Way Valve |
| 20sec | 2" ~ 3" | 1 1/4" ~ 3" | 4" ~ 6" | 2 1/2" |
| 30sec | 4" | 4" | 5" ~ 8" | 2 1/2" ~ 3" |



Weight :9.5 kg



*The UM-4/24VDC is 26mm higher than standard one.



| Dimension (mm) | Modal | | | | | | | | | | | | | | | | | ISO 5211 | | | |
|----------------|-------|-----|----|-----|-----|------|----|-----|----|---|-----|---|----|----|-----|----|----|----------|-----|-----|---------|
| | A | B | C | D | E | F | G | H | I | J | K | L | M | N | O | P | Q | | R | S | T |
| UM-4 | 310 | 244 | 30 | 249 | 203 | 30.6 | 70 | 102 | M8 | 4 | M10 | 4 | 22 | 45 | 173 | 87 | 42 | 85 | 180 | 165 | F07/F10 |

Action Interval:5 minutes per travel